

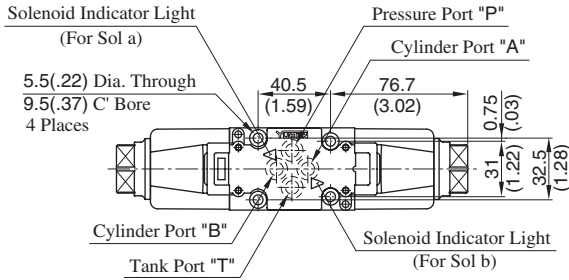
Mounting surface: ISO 4401-AB-03-4-A

TERMINAL BOX TYPE

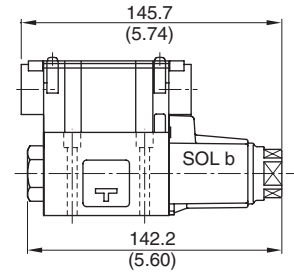
Models with AC Solenoids

- Double Solenoid: Spring Centred & No-Spring Detented

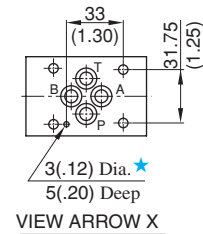
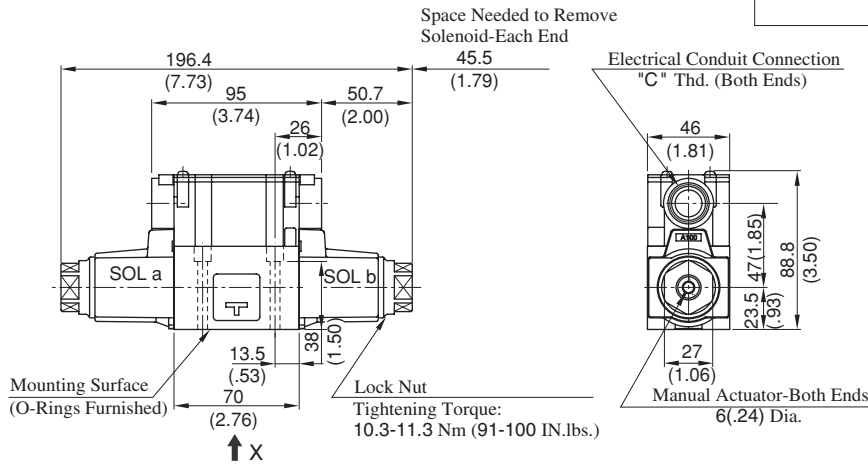
DSG-01- 3C*
2D2 -A*-70/7090



- Single Solenoid: Spring Offset
DSG-01-2B*-A*-70/7090



- For other dimensions, refer to "spring Centred and No-Spring Detented" models.
- Solenoid being mounted in the reverse position SOL a side is also available.



Model Numbers	"C" Thd.
DSG-01-***-A*-70	G 1/2
DSG-01-***-A*-7090	1/2 NPT

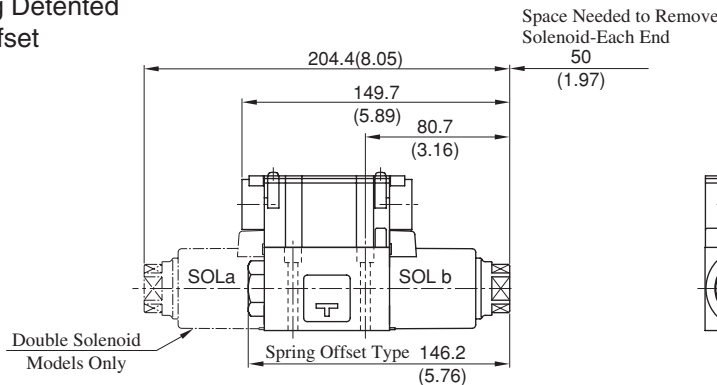
- ★ Locating pin can be fitted to this hole to conform with ISO4401-03-02-94. However, locating pin is not provided to standard design valve. When ordering valve with a locating pin, please consult Yuken.

DIMENSIONS IN
MILLIMETRES (INCHES)

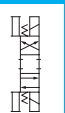
Models with DC Solenoids: (S-)DSG-01- ***-D*-70/7090

Models with R Type Solenoids: (S-)DSG-01- ***-R*-70/7090

- Spring Centred
- No-Spring Detented
- Spring Offset



- For other dimensions, refer to models with AC solenoids.



DSG-01 Series Solenoid
Operated Directional Valves