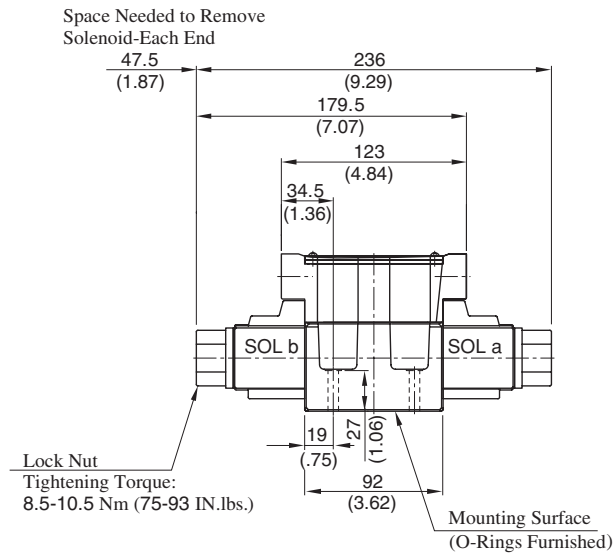
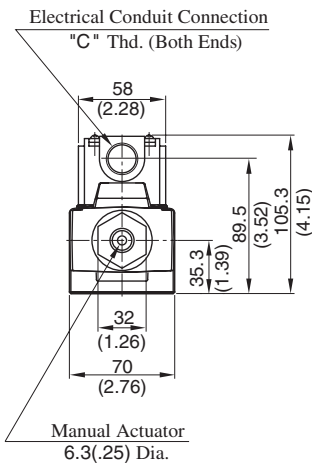
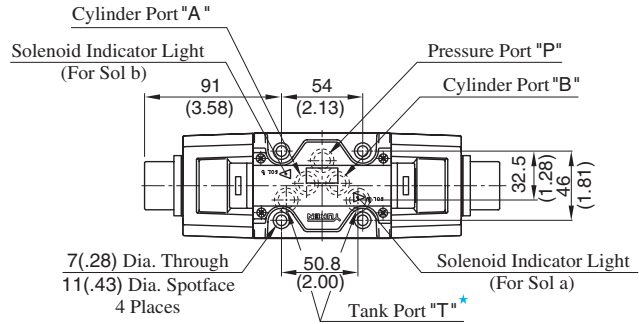


**TERMINAL BOX TYPE**

- Models with AC Solenoids: DSG-03- \*\*\*-A\* -50/5090
- Double Solenoid: Spring Centred & No-Spring Detended

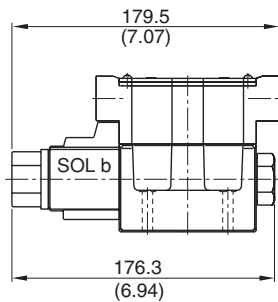
Model Numbers	"C" Thd.
DSG-03- ***-A* -50	G 1/2
DSG-03- ***-A* -5090	1/2 NPT



★. Of the two of tank port "T", the tank port in the left side is normally used in our standard sub-plate, though, either side of the tank port "T" can be used without problem.

**DIMENSIONS IN MILLIMETRES (INCHES)**

- Single Solenoid: Spring Offset



- For other dimensions, refer to "Spring Centred and No-Spring Detended" models.
- Solenoid being mounted in the reverse position -SOL a side- is also available.