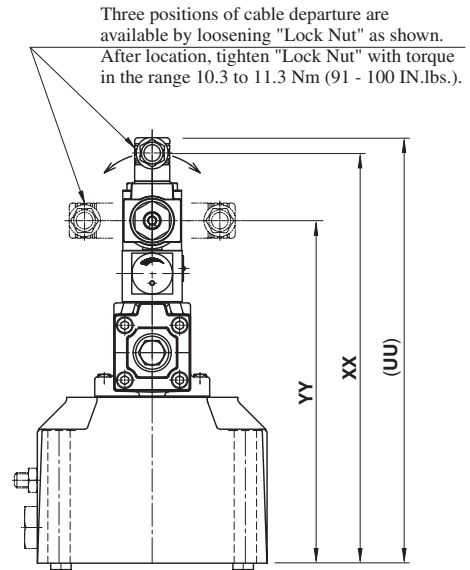
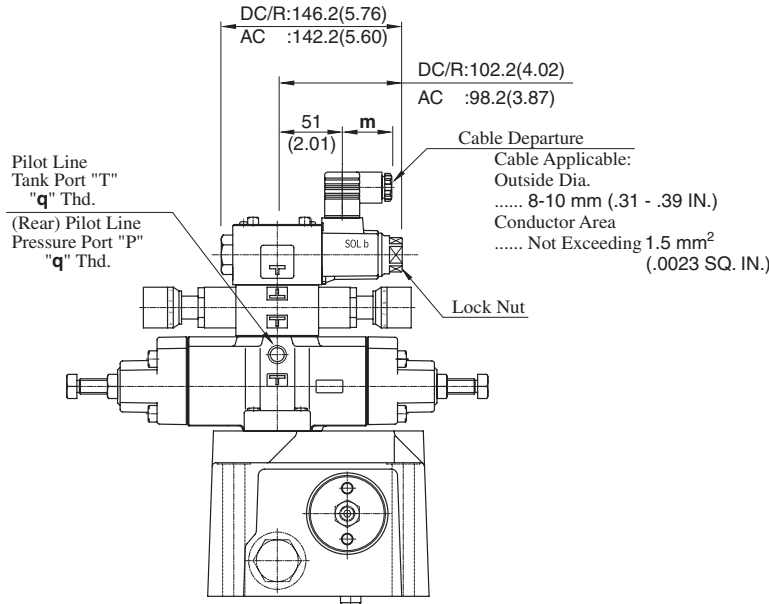


● Models with Plug-in Connector

FHG/FHCG-06-250-*-N-13/1380/1390
 FHG/FHCG-10-500-*-N-13/1380/1390

DIMENSIONS IN
 MILLIMETRES (INCHES)

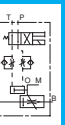


Model Numbers	Dimensions mm (Inches)				Remarks
	UU	XX	YY	m	
FHG/FHCG-06-250-*-A*-N	333.5 (13.13)	321.5 (12.66)	268.5 (10.57)	39 (1.54)	with AC Solenoid
FHG/FHCG-10-500-*-A*-N	363.5 (14.31)	351.5 (13.84)	298.5 (11.75)		
FHG/FHCG-06-250-*-D*-N	344.5 (13.56)	332.5 (13.09)	268.5 (10.57)	39 (1.54)	with DC Solenoid
FHG/FHCG-10-500-*-D*-N	374.5 (14.74)	362.5 (14.27)	298.5 (11.75)		
FHG/FHCG-06-250-*-R*-N	347.5 (13.68)	325.7 (12.82)	268.5 (10.57)	53 (2.09)	with AC →DC Solenoid
FHG/FHCG-10-500-*-R*-N	377.5 (14.86)	355.7 (14.00)	298.5 (11.75)		

Model Numbers	Thread Size		
	Japanese Std. "JIS" Design 13	European Design Std. Design 1380	N.American Design Std. Design 1390
	"q" Thd.	"q" Thd.	"q" Thd.
FHG/FHCG-06-250-*-N	Rc 1/4	1/4 BSPF	1/4 NPT
FHG/FHCG-10-500-*-N			

● For other dimensions, refer to "Terminal Box Type".

D



Pilot Operated Flow Control Valves
 Pilot Operated Flow Control and Check Valves