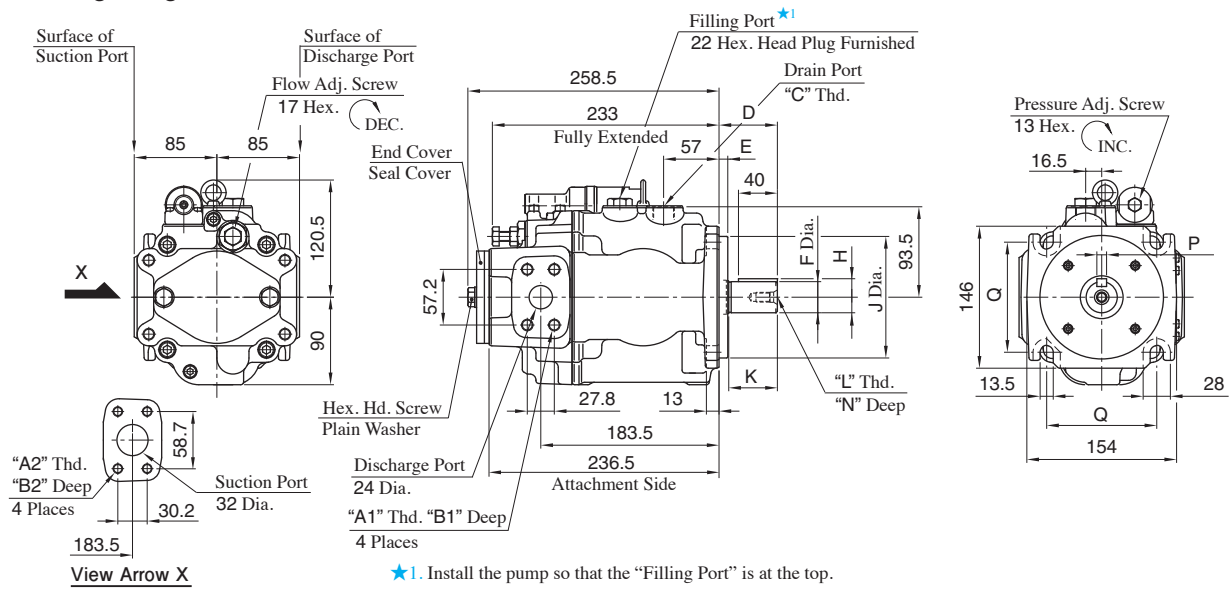


## Flange Mtg. Four Bolts:A3HG37-FR01KK-E1D/E2D/U1D/U2D/J1D

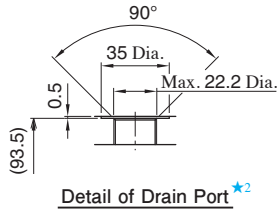


Model Numbers	A1	A2	B1	B2	C	D	E	F	H	J	K	L	N	P	Q	Mounting Flange	Connecting Port	Pipe Flange Threads
A3HG37-FR01KK-E1D/E2D	M12	M10	22	18	M22X1.5	60	9	32 <sup>+0.018</sup> <sub>-0.002</sub>	35 <sup>+0.018</sup> <sub>-0.288</sub>	125 <sup>0</sup> <sub>-0.063</sub>	50	M10	22	10 <sup>0</sup> <sub>-0.036</sub>	113.2	Conforms to ISO 3019-2	Metric	Metric
A3HG37-FR01KK-U1D	7/16-14 UNC		20		G 1/2	56	12.7	31.75 <sup>0</sup> <sub>-0.05</sub>	35.32 <sup>0</sup> <sub>-0.18</sub>	127 <sup>0</sup> <sub>-0.05</sub>	48	5/16-18 UNC	19	7.94 <sup>+0.03</sup> <sub>0</sub>	114.5	Conforms to ISO 3019-1	Unified	Unified
A3HG37-FR01KK-U2D	M12	M10	22	18	G 1/2	56	12.7	31.75 <sup>0</sup> <sub>-0.05</sub>	35.32 <sup>0</sup> <sub>-0.18</sub>	127 <sup>0</sup> <sub>-0.05</sub>	48		19	7.94 <sup>+0.03</sup> <sub>0</sub>	114.5	Conforms to ISO 3019-1	BSP	Metric
A3HG37-FR01KK-J1D	M12	M10	22	18	G 1/2	56	12.7	31.75 <sup>0</sup> <sub>-0.05</sub>	35.32 <sup>0</sup> <sub>-0.18</sub>	127 <sup>0</sup> <sub>-0.05</sub>	48	19	7.94 <sup>+0.03</sup> <sub>0</sub>	114.5	Conforms to ISO 3019-1	Rc	Metric	

### Drain Port

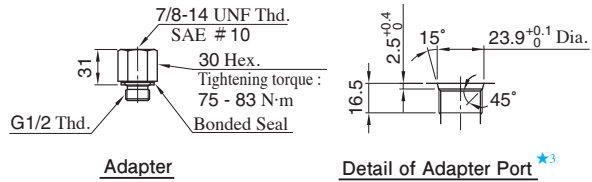
For Port/Flange Code "U1/J1", Adapter and bonded seal are attached. After installing the bonded seal at the drain port tighten the adapter

#### Detail:A3HG37-FR01KK-E1D/E2D



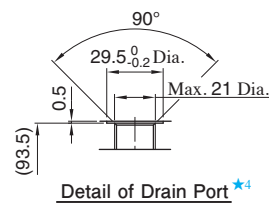
\*2. Drain port conforms to ISO 9974-1, metric threads.

#### Accessories:A3HG37-FR01KK-U1D



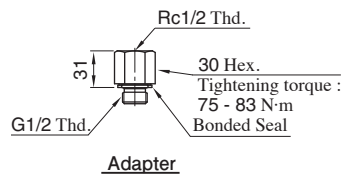
\*3. Adapter port conforms to SAE J 514, O-Ring seals.

#### Detail:A3HG37-FR01KK-U2D

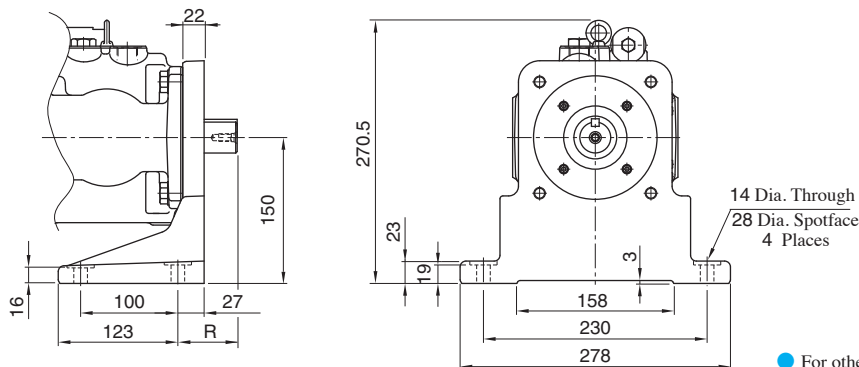


\*4. Drain port conforms to ISO 1179-1, BSPP threads.

#### Accessories:A3HG37-FR01KK-J1D



## Foot Mtg. Four Bolts:A3HG37-LR01KK-E1D/E2D/U1D/U2D/J1D



Model Numbers	R
A3HG37-LR01KK-E1D/E2D	65
A3HG37-LR01KK-U1D/U2D/J1D	61

\* For other dimensions, refer to "Flange Mtg. Four Bolts".