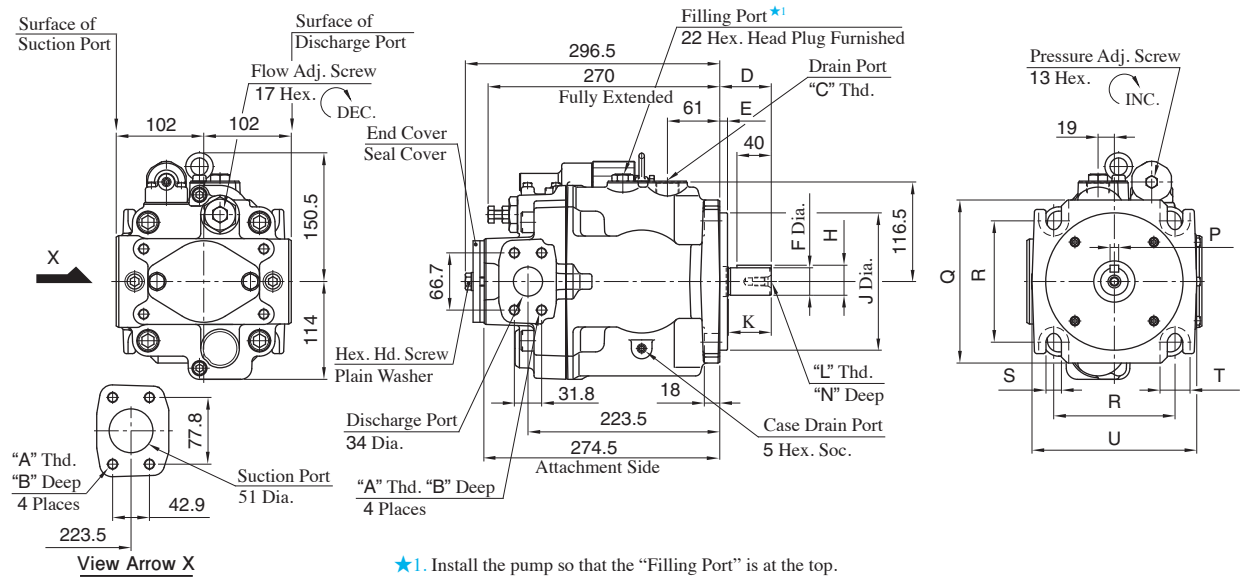


Flange Mtg.:A3HG71-FR01KK-E1D/E2D/U1D/U2D/J1D

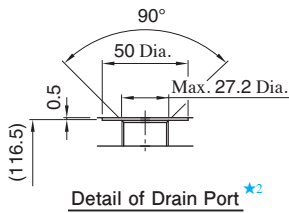


Model Numbers	A	B	C	D	E	F	H	J	K	L	N	P	Q	R	S	T	U	Mounting Flange	Connecting Port	Pipe Flange Threads
A3HG71-FR01KK-E1D/E2D	M12	22	M27X2	60	9	32 ^{+0.018} _{+0.002}	35 ^{+0.018} _{-0.288}	160 ⁰ _{-0.063}	50	M10	22	10 ⁰ _{-0.036}	190	141.4	18	35	192	Conforms to ISO 3019-2	Metric	Metric
A3HG71-FR01KK-U1D	1/2-13 UNC	21	G 3/4	56	12.7	31.75 ⁰ _{-0.05}	35.32 ⁰ _{-0.18}	127 ⁰ _{-0.05}	48		19	7.94 ^{+0.03} ₀	143	114.5	13.5	28	155	Conforms to ISO 3019-1	Unified	Unified
A3HG71-FR01KK-U2D	M12	22	G 3/4	56	12.7	31.75 ⁰ _{-0.05}	35.32 ⁰ _{-0.18}	127 ⁰ _{-0.05}	48	5/16-18 UNC	19	7.94 ^{+0.03} ₀	143	114.5	13.5	28	155	Conforms to ISO 3019-1	BSPP	Metric
A3HG71-FR01KK-J1D	M12	22	G 3/4	56	12.7	31.75 ⁰ _{-0.05}	35.32 ⁰ _{-0.18}	127 ⁰ _{-0.05}	48		19	7.94 ^{+0.03} ₀	143	114.5	13.5	28	155	Conforms to ISO 3019-1	Rc	Metric

Drain Port

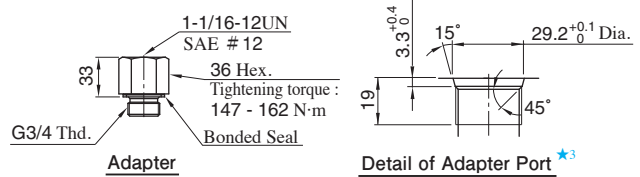
For Port/Flange Code "U1/J1", Adapter and bonded seal are attached. After installing the bonded seal at the drain port tighten the adapter

● Detail:A3HG71-FR01KK-E1D/E2D



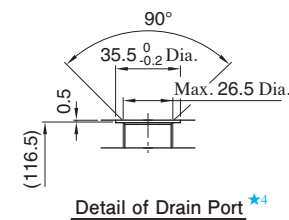
★2. Drain port conforms to ISO 9974-1, metric threads.

● Accessories:A3HG71-FR01KK-U1D



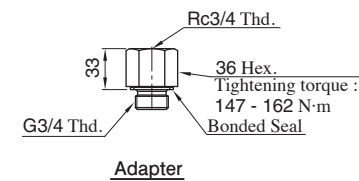
★3. Adapter port conforms to SAE J 514, O-Ring seals.

● Detail:A3HG71-FR01KK-U2D

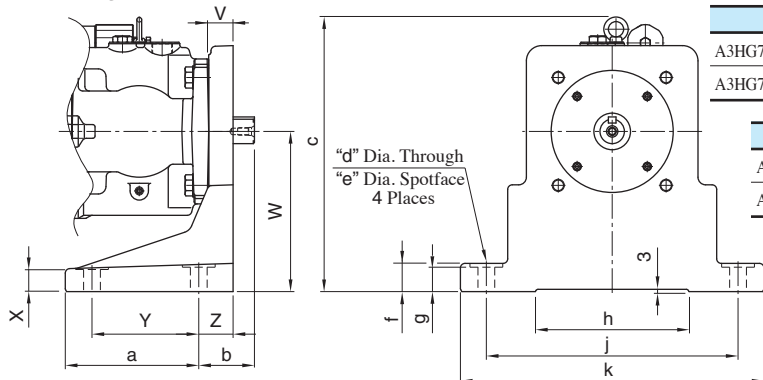


★4. Drain port conforms to ISO 1179-1, BSPP threads.

● Accessories:A3HG71-FR01KK-J1D



Foot Mtg.:A3HG71-LR01KK-E1D/E2D/U1D/U2D/J1D



Model Numbers	V	W	X	Y	Z	a	b	c
A3HG71-LR01KK-E1D/E2D	32	210	29	140	45	175	73	360.5
A3HG71-LR01KK-U1D/U2D/J1D	22	150	16	100	27	123	61	300.5

Model Numbers	d	e	f	g	h	j	k
A3HG71-LR01KK-E1D/E2D	22	43	37	32	198	330	398
A3HG71-LR01KK-U1D/U2D/J1D	14	28	23	19	158	230	278

● For other dimensions, refer to "Flange Mtg.".