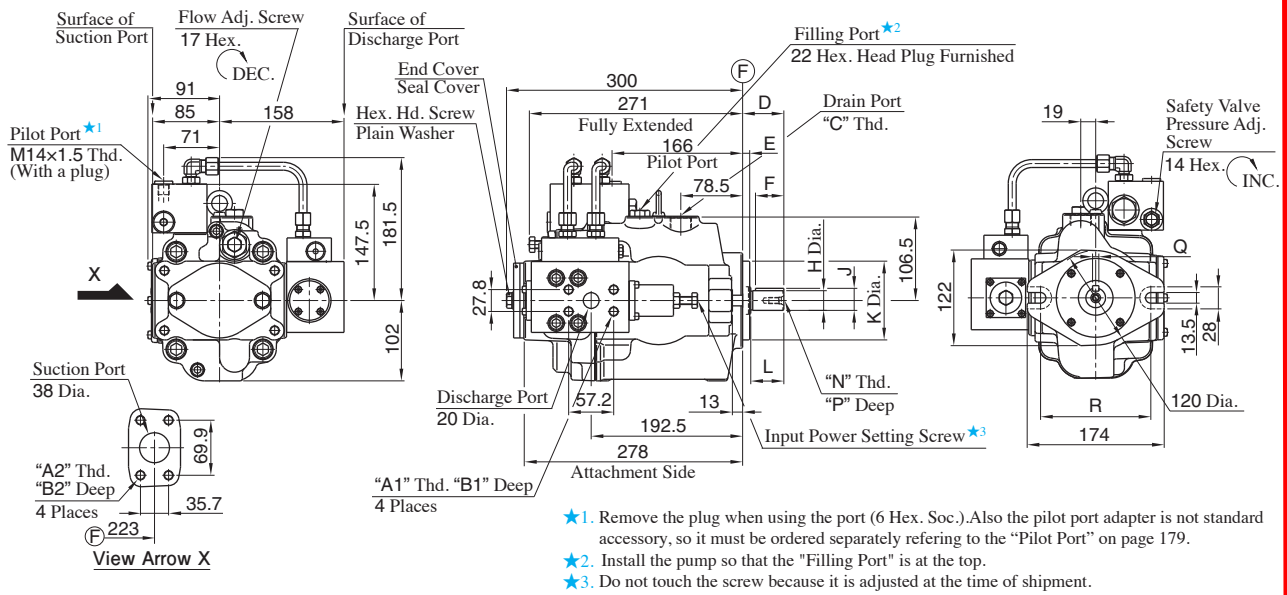
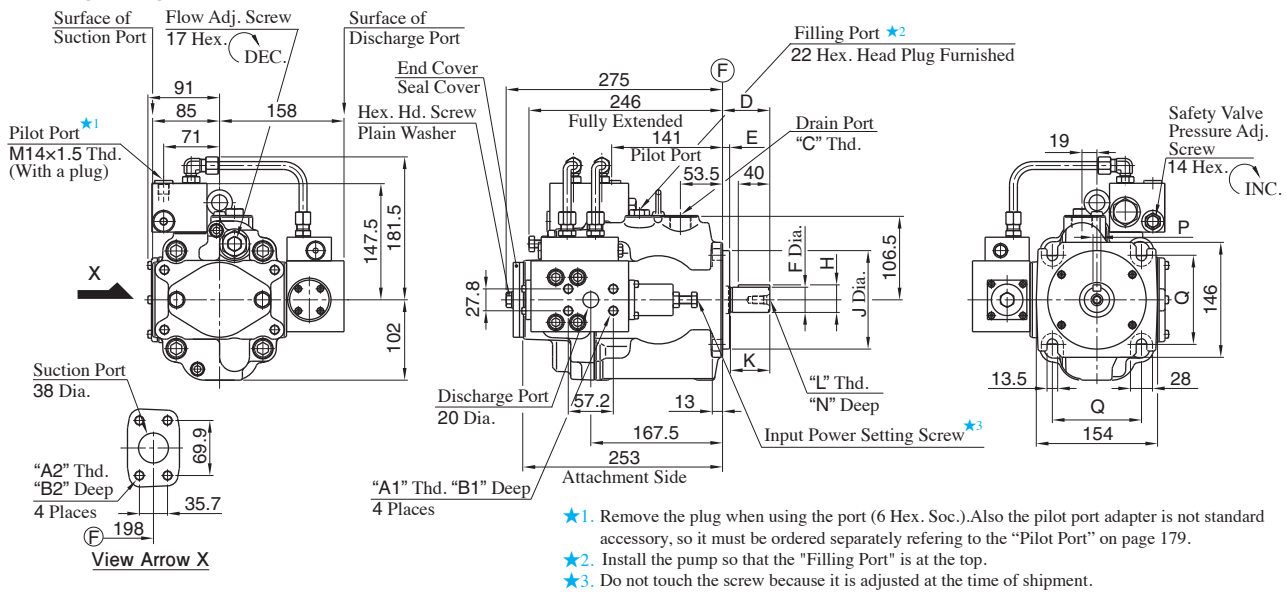


**Flange Mtg. Two Bolts:A3HG56-FR09V\*-K-E1C/E2C/U1C/U2C/J1C**



Model Numbers	A1	A2	B1	B2	C	D	E	F	H	J	K	L	N	P	Q	R	Mounting Flange	Connecting Port	Pipe Flange Threads
A3HG56-FR09V*-K-E1C/E2C	M12	M12	22	22	M27X2	52	9	36	25 <sup>+0.009</sup> <sub>-0.004</sub>	28 <sup>+0.009</sup> <sub>-0.294</sub>	100 <sup>0</sup> <sub>-0.054</sub>	42	M8	19	8 <sup>0</sup> <sub>-0.036</sub>	140	Conforms to ISO 3019-2	Metric	Metric
A3HG56-FR09V*-K-U1C	7/16-14 UNC	1/2-13 UNC	20	21	G 3/4	46	9.7	32	25.4 <sup>0</sup> <sub>-0.05</sub>	28.18 <sup>0</sup> <sub>-0.18</sub>	101.6 <sup>0</sup> <sub>-0.05</sub>	38	1/4-20 UNC	16	6.35 <sup>+0.03</sup> <sub>0</sub>	146	Conforms to ISO 3019-1	Unified	Unified
A3HG56-FR09V*-K-U2C	M12	M12	22	22	G 3/4	46	9.7	32	25.4 <sup>0</sup> <sub>-0.05</sub>	28.18 <sup>0</sup> <sub>-0.18</sub>	101.6 <sup>0</sup> <sub>-0.05</sub>	38	1/4-20 UNC	16	6.35 <sup>+0.03</sup> <sub>0</sub>	146	Conforms to ISO 3019-1	BSPP	Metric
A3HG56-FR09V*-K-J1C	M12	M12	22	22	G 3/4	46	9.7	32	25.4 <sup>0</sup> <sub>-0.05</sub>	28.18 <sup>0</sup> <sub>-0.18</sub>	101.6 <sup>0</sup> <sub>-0.05</sub>	38	1/4-20 UNC	16	6.35 <sup>+0.03</sup> <sub>0</sub>	146	Conforms to ISO 3019-1	Rc	Metric

**Flange Mtg. Four Bolts:A3HG56-FR09V\*-K-E1D/E2D/U1D/U2D/J1D**



Model Numbers	A1	A2	B1	B2	C	D	E	F	H	J	K	L	N	P	Q	Mounting Flange	Connecting Port	Pipe Flange Threads
A3HG56-FR09V*-K-E1D/E2D	M12	M12	22	22	M27X2	60	9	32 <sup>+0.018</sup> <sub>+0.002</sub>	35 <sup>+0.018</sup> <sub>-0.288</sub>	125 <sup>0</sup> <sub>-0.063</sub>	50	M10	22	10 <sup>0</sup> <sub>-0.036</sub>	113.2	Conforms to ISO 3019-2	Metric	Metric
A3HG56-FR09V*-K-U1D	7/16-14 UNC	1/2-13 UNC	20	21	G 3/4	56	12.7	31.75 <sup>0</sup> <sub>-0.05</sub>	35.32 <sup>0</sup> <sub>-0.18</sub>	127 <sup>0</sup> <sub>-0.05</sub>	48	5/16-18 UNC	19	7.94 <sup>+0.03</sup> <sub>0</sub>	114.5	Conforms to ISO 3019-1	Unified	Unified
A3HG56-FR09V*-K-U2D	M12	M12	22	22	G 3/4	56	12.7	31.75 <sup>0</sup> <sub>-0.05</sub>	35.32 <sup>0</sup> <sub>-0.18</sub>	127 <sup>0</sup> <sub>-0.05</sub>	48	5/16-18 UNC	19	7.94 <sup>+0.03</sup> <sub>0</sub>	114.5	Conforms to ISO 3019-1	BSPP	Metric
A3HG56-FR09V*-K-J1D	M12	M12	22	22	G 3/4	56	12.7	31.75 <sup>0</sup> <sub>-0.05</sub>	35.32 <sup>0</sup> <sub>-0.18</sub>	127 <sup>0</sup> <sub>-0.05</sub>	48	5/16-18 UNC	19	7.94 <sup>+0.03</sup> <sub>0</sub>	114.5	Conforms to ISO 3019-1	Rc	Metric

**Pilot Port**

Pilot Port is common to that of "A3HG16-FR07K-E1C/U1C/U2C/J1C"(except the height dimension from the center of the pump). Refer to page 179 for the dimensions of Pilot Port.

**Drain Port**

Drain Port is common to that of pressure compensator model.Refer to page 170 or 171 for the dimensions of Drain Port.

**Foot Mtg.:A3HG56-LR09V\*-K-E1C/E2C/U1C/U2C/J1C, A3HG56-LR09V\*-K-E1D/E2D/U1D/U2D/J1D**

Mounting bracket is common to that of pressure compensator model (except max height dimension). Refer to page 170 and 171 for the dimensions of mounting bracket.