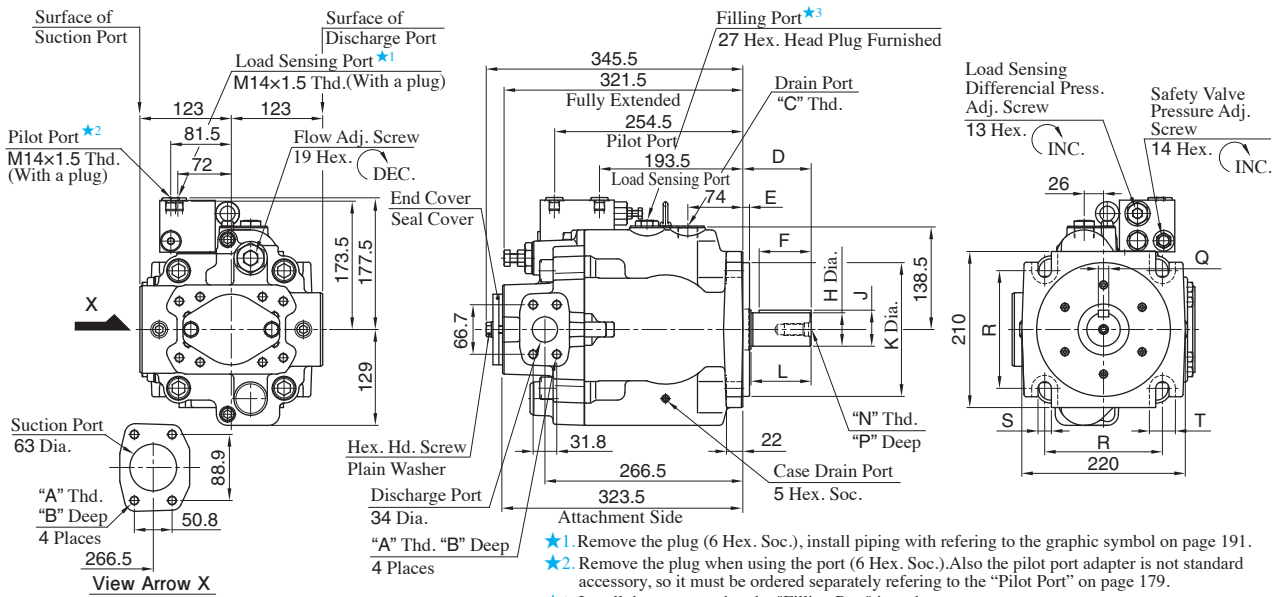


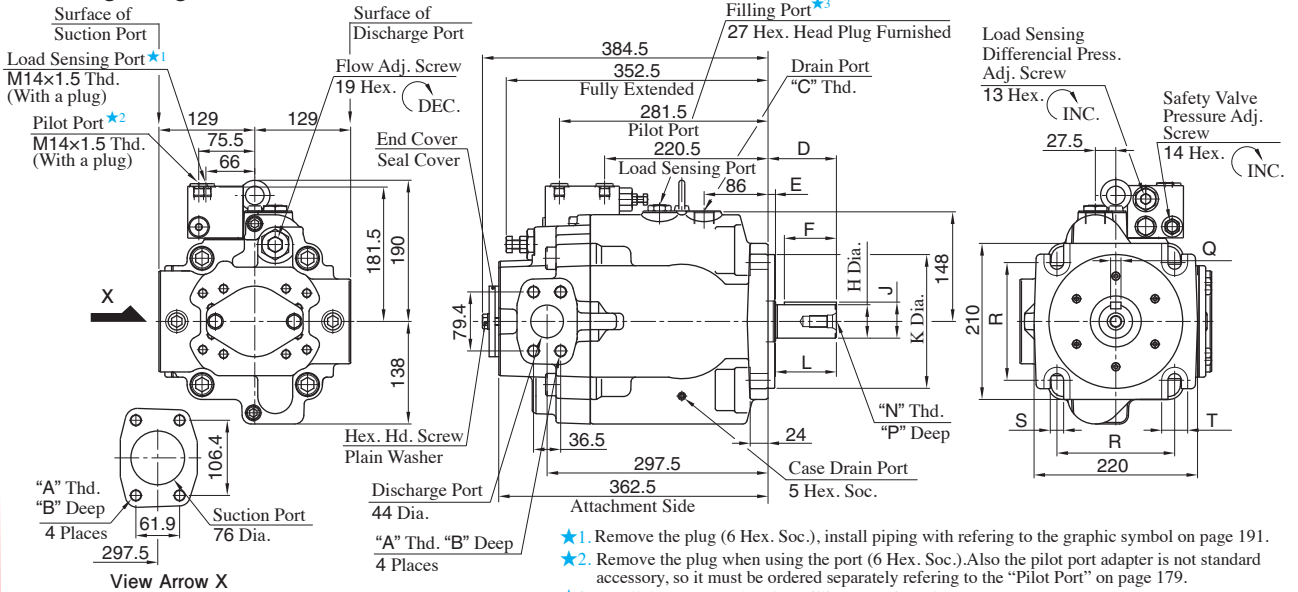
Flange Mtg.:A3HG145-FR14K-E1D/E2D/U1D/U2D/J1D



- ★1. Remove the plug (6 Hex. Soc.), install piping with referring to the graphic symbol on page 191.
- ★2. Remove the plug when using the port (6 Hex. Soc.).Also the pilot port adapter is not standard accessory, so it must be ordered separately referring to the "Pilot Port" on page 179.
- ★3. Install the pump so that the "Filling Port" is at the top.

Model Numbers	A	B	C	D	E	F	H	J	K	L	N	P	Q	R	S	T	Mounting Flange	Connecting Port	Pipe Flange Threads
A3HG145-FR14K-E1D/E2D	M12	22	M27×2	92	9	70	45 ^{+0.018} _{+0.002}	48.5 ^{+0.018} _{-0.288}	180 ⁰ _{-0.063}	82	M16	36	14 ⁰ _{-0.043}	158.4	18	35	Conforms to ISO 3019-2	Metric	Metric
A3HG145-FR14K-U1D	1/2-13 UNC	21	G 3/4	75	12.7	56	44.45 ⁰ _{-0.05}	49.39 ⁰ _{-0.18}	152.4 ⁰ _{-0.05}	67		32	11.11 ^{+0.03} ₀	161.6	21.5	39	Conforms to ISO 3019-1	Unified	Unified
A3HG145-FR14K-U2D	M12	22	G 3/4	75	12.7	56	44.45 ⁰ _{-0.05}	49.39 ⁰ _{-0.18}	152.4 ⁰ _{-0.05}	67	1/2-13 UNC	32	11.11 ^{+0.03} ₀	161.6	21.5	39	Conforms to ISO 3019-1	BSPP	Metric
A3HG145-FR14K-J1D	M12	22	G 3/4	75	12.7	56	44.45 ⁰ _{-0.05}	49.39 ⁰ _{-0.18}	152.4 ⁰ _{-0.05}	67		32	11.11 ^{+0.03} ₀	161.6	21.5	39	Conforms to ISO 3019-1	Rc	Metric

Flange Mtg.:A3HG180-FR14K-E1D/E2D/U1D/U2D/J1D



- ★1. Remove the plug (6 Hex. Soc.), install piping with referring to the graphic symbol on page 191.
- ★2. Remove the plug when using the port (6 Hex. Soc.).Also the pilot port adapter is not standard accessory, so it must be ordered separately referring to the "Pilot Port" on page 179.
- ★3. Install the pump so that the "Filling Port" is at the top.

Model Numbers	A	B	C	D	E	F	H	J	K	L	N	P	Q	R	S	T	Mounting Flange	Connecting Port	Pipe Flange Threads
A3HG180-FR14K-E1D/E2D	M16	29	M27×2	92	9	70	45 ^{+0.018} _{+0.002}	48.5 ^{+0.018} _{-0.288}	180 ⁰ _{-0.063}	82	M16	36	14 ⁰ _{-0.043}	158.4	18	35	Conforms to ISO 3019-2	Metric	Metric
A3HG180-FR14K-U1D	5/8-11 UNC	29	G 3/4	75	12.7	56	44.45 ⁰ _{-0.05}	49.39 ⁰ _{-0.18}	152.4 ⁰ _{-0.05}	67		32	11.11 ^{+0.03} ₀	161.6	21.5	39	Conforms to ISO 3019-1	Unified	Unified
A3HG180-FR14K-U2D	M16	29	G 3/4	75	12.7	56	44.45 ⁰ _{-0.05}	49.39 ⁰ _{-0.18}	152.4 ⁰ _{-0.05}	67	1/2-13 UNC	32	11.11 ^{+0.03} ₀	161.6	21.5	39	Conforms to ISO 3019-1	BSPP	Metric
A3HG180-FR14K-J1D	M16	29	G 3/4	75	12.7	56	44.45 ⁰ _{-0.05}	49.39 ⁰ _{-0.18}	152.4 ⁰ _{-0.05}	67		32	11.11 ^{+0.03} ₀	161.6	21.5	39	Conforms to ISO 3019-1	Rc	Metric

Load Sensing Port/Pilot Port

Load Sensing Port is common to that of Pilot Port (except the height dimension from the center of the pump). Refer to page 179 for the dimensions of Pilot Port.

Drain Port

Drain Port is common to that of pressure compensator model.Refer to page 174 or 175 for the dimensions of Drain Port.

Foot Mtg.:A3HG145-LR14K-E1D/E2D/U1D/U2D/J1D, A3HG180-LR14K-E1D/E2D/U1D/U2D/J1D

Mounting bracket is common to that of pressure compensator model. Refer to page 174 and 175 for the dimensions of mounting bracket.