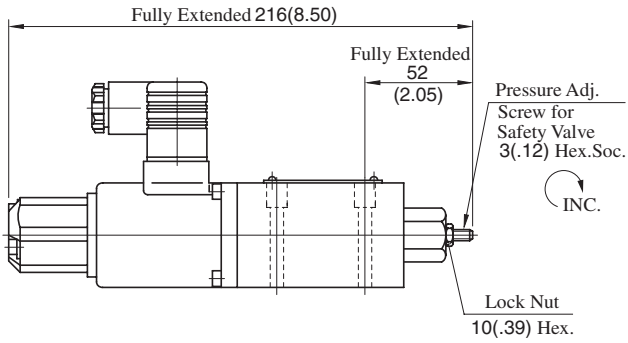


EDG-01*-*-1-PNT*-51/5190

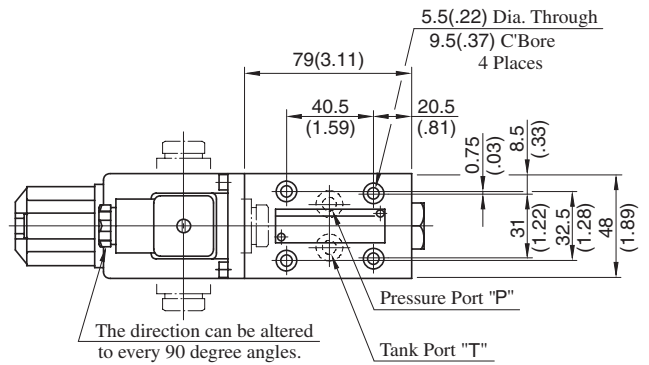
With Safety Valve



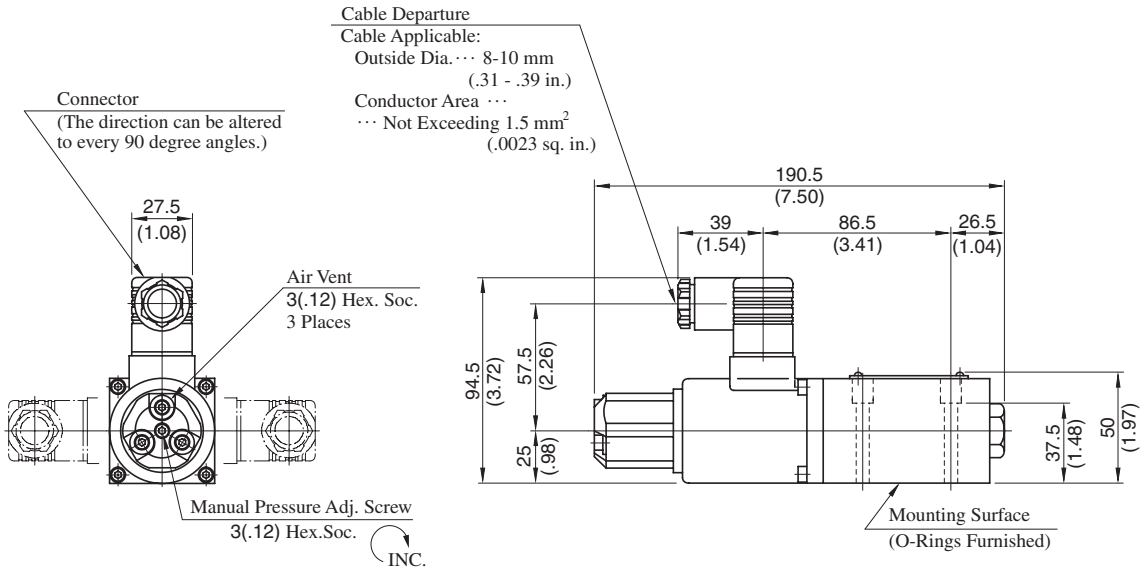
• For other dimensions, refer to the without safety valve.

EDG-01*-*-PNT*-51/5190

Without Safety Valve



DIMENSIONS IN MILLIMETRES (INCHES)



Note: For valve mounting surface dimensions, see the dimensional drawings of sub-plates (P.356) in common use.