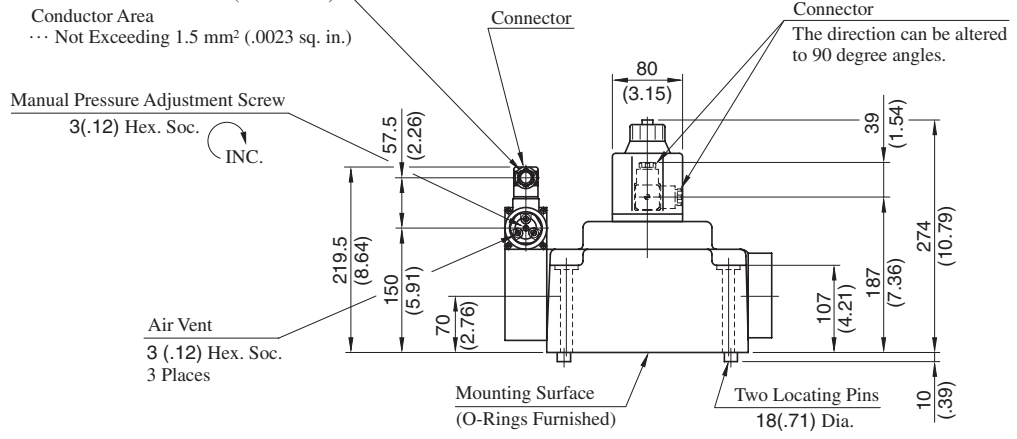
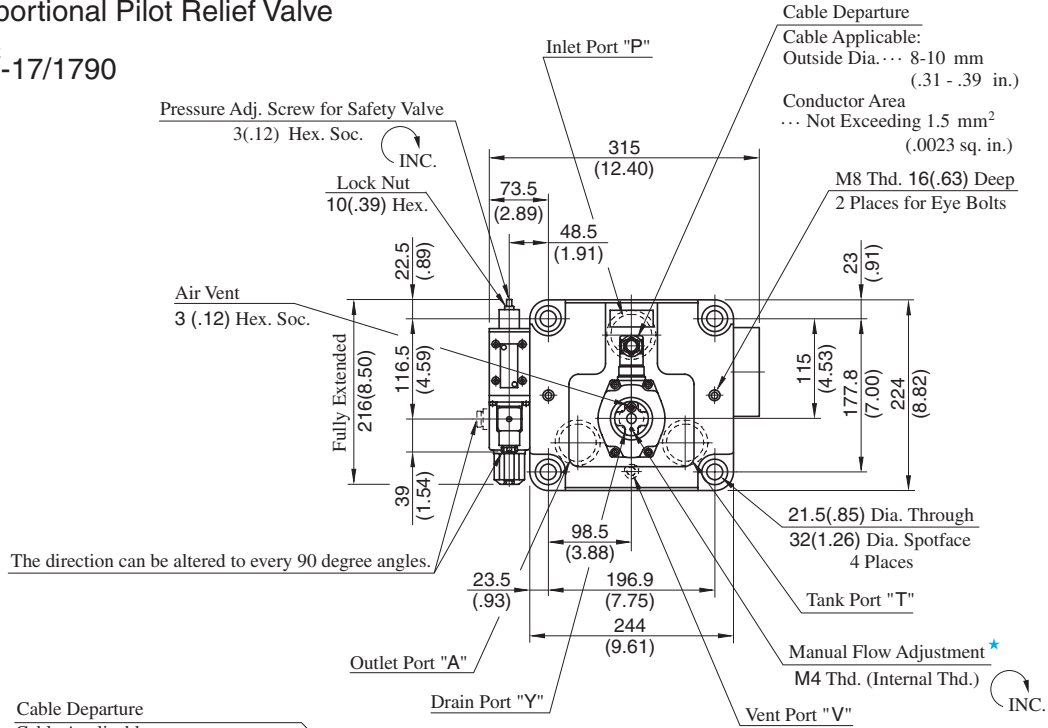


Models with Proportional Pilot Relief Valve

EFBG-10-500-C_H-17/1790



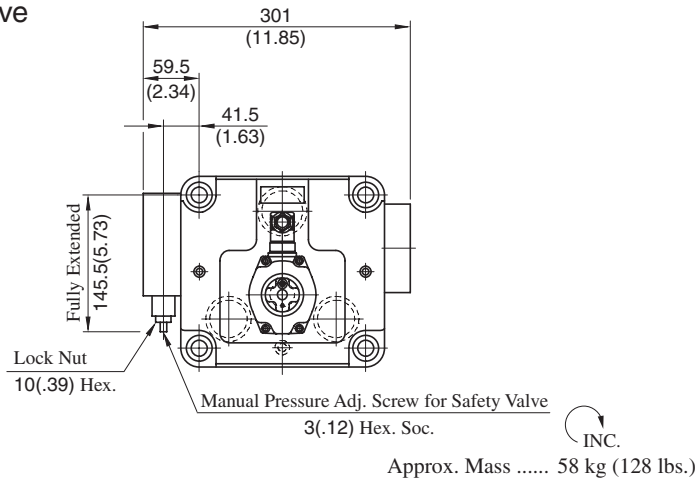
DIMENSIONS IN MILLIMETRES (INCHES)

Approx. Mass 60 kg (132 lbs.)

★ Manual adjustment can be done by screwing for example an M4×20 L screw in the M4 thread or pushing in a rod etc. there.

Models without Proportional Pilot Relief Valve

EFBG-10-500-17/1790



• For other dimensions, please refer to the models with Proportional Pilot Relief Valve.