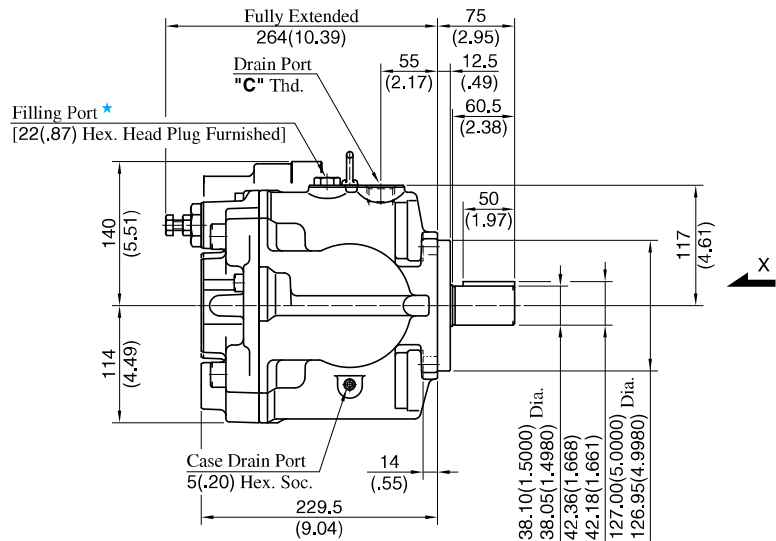
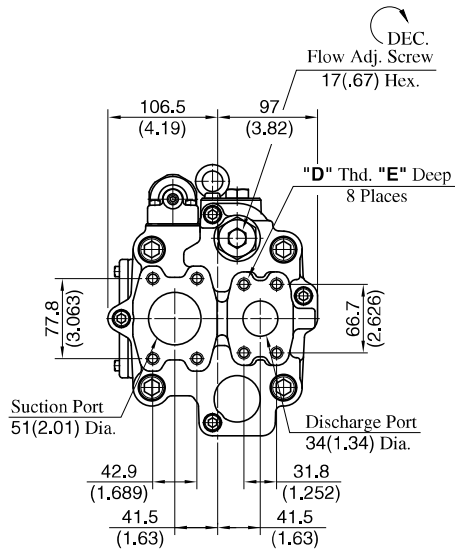
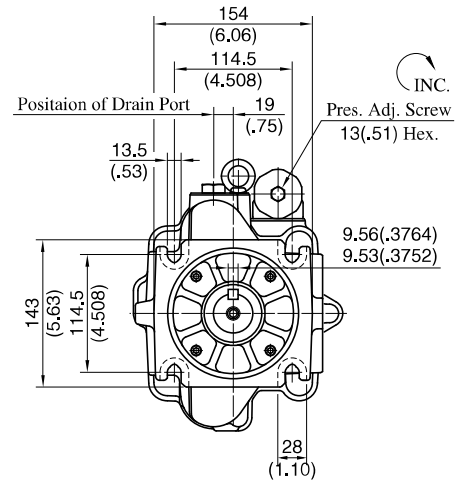


Flange Mtg.: A3H71-FR01KK-10/1080/10950



★ Install the pump so that the "Filling port" is at the top.

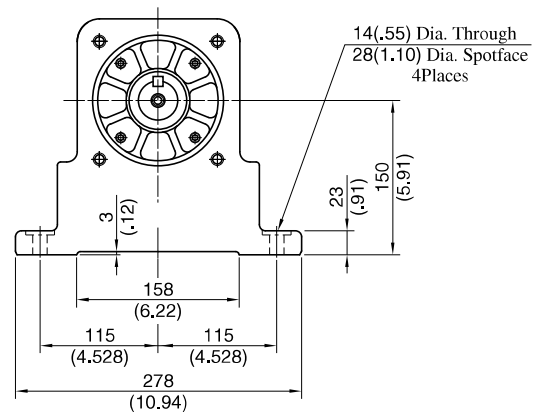
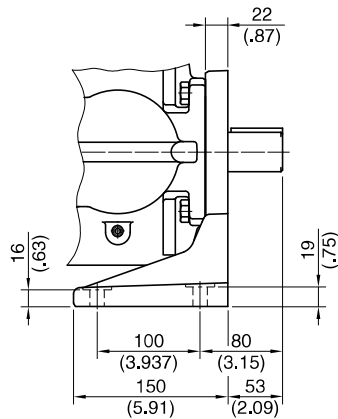
| Model Numbers | "C" Thd. | "D" Thd. | E mm (IN.) |
|--------------------|-----------|------------|------------|
| A3H71-FR01KK-10 | Rc 3/4 | M12 | 19 (.75) |
| A3H71-FR01KK-1080 | 3/4 BSP.F | | |
| A3H71-FR01KK-10950 | SAE #12 | 1/2-13 UNC | 21 (.83) |



View Arrow X

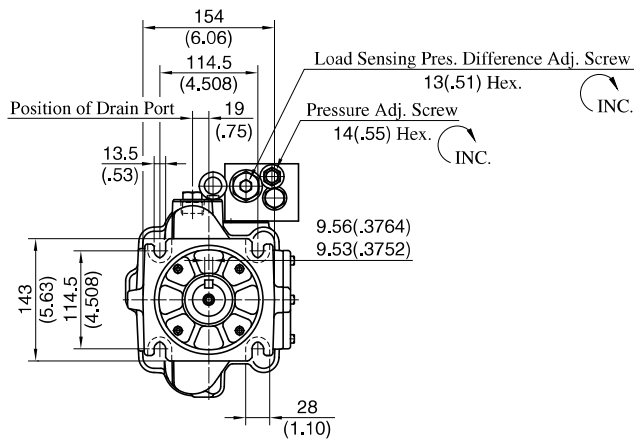
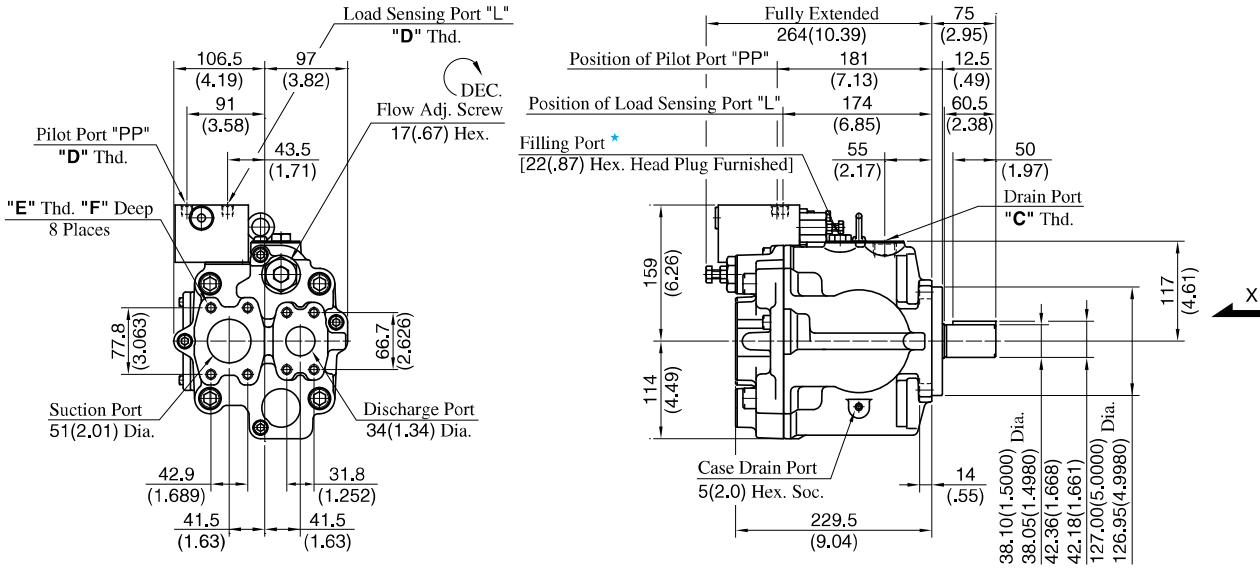
DIMENSIONS IN MILLIMETRES (INCHES)

Foot Mtg.: A3H71-LR01KK-10/1080/10950



● For other dimensions, refer to "Flange Mtg.".

Flange Mtg.: A3H71-FR14K-10/1080/10950



View Arrow X

| Model Numbers | Thread Size | | | Dimensions mm (Inches) |
|-------------------|-------------|-----------|------------|------------------------|
| | C | D | E | F |
| A3H71-FR14K-10 | Rc 3/4 | Rc 1/4 | M12 | 19 (.75) |
| A3H71-FR14K-1080 | 3/4 BSP.F | 1/4 BSP.F | | |
| A3H71-FR14K-10950 | SAE #12 | SAE #4 | 1/2-13 UNC | 21 (.83) |

★ Install the pump so that the "Filling Port" is at the top.

DIMENSIONS IN MILLIMETRES (INCHES)

● Foot Mounting Type

Mounting bracket is common to that of pressure compensator model. Refer to page 135 for the dimensions of mounting bracket.