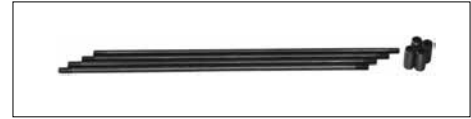


## Mounting Bolt Kits For Modular Valves

Valves are mounted with four stud bolts. Valve combination varies according to the circuit type. Hence, the mounting bolt kits are available on a combination type basis.

When ordering the mounting bolt kit, be sure to give the bolt kit model number from the table below.



### Model Number Designation

MBK	-03	-04	-10	*
Series Number	Size of Modular Valve	Bolt Number	Design Number	Design Standard
MBK : Mounting Bolt Kits for Modular Valve	03	01, 02, 03, 04, 05 (Refer to the following chart)	10	Refer to ★

★ Design Standards: None ..... Japanese Standard "JIS" and European Design Standard 90 ..... N. American Design Standard

### Bolt Kit Composition

Stud Bolt ----- 4 Pcs. } 1 Set  
Nut ----- 4 Pcs. }

Note: In case of bolt kit model number having "05", four hexagon socket head cap screws only.

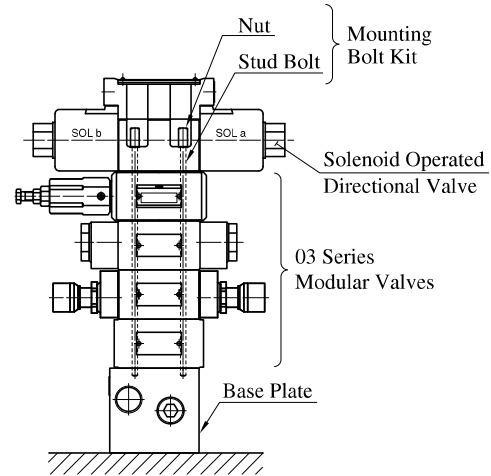
### Tightening Torque:

12-15 Nm (106-133 IN. lbs.)

### Bolt Kits Selection Chart

Model Numbers	Quantity of valves to be stacked			Approx. Mass g (lbs.)
	Solenoid Operated Directional Valve (*-DSG-03)	End Plate (MDC-03)	Modular Valve & Connecting Plate	
MBK-03-01-10*	1	0	1	120(.26)
	0	1		
MBK-03-02-10*	1	0	2	160(.35)
	0	1		
MBK-03-03-10*	1	0	3	200(.44)
	0	1		
MBK-03-04-10*	1	0	4	240(.53)
	0	1		
MBK-03-05-10*	1★	0	0	40(.09)
	0	1		

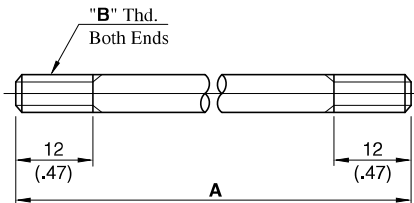
★ The solenoid operated directional valve comes with mounting bolts.



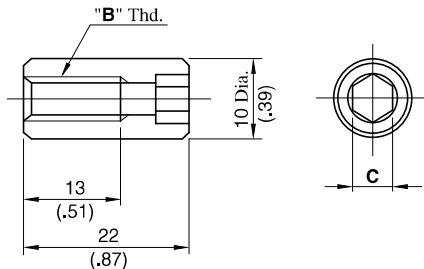
Stacking Example

### MBK-03-\*-10/1090

#### Stud Bolt

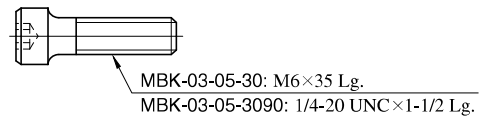


#### Nut



### MBK-03-05-10/1090

#### Socket Head Cap Screw



**DIMENSIONS IN MILLIMETRES (INCHES)**

Model Numbers	A mm (In.)	"B" Thd.	C
MBK-03-01-10	103 ( 4.06)	M6	5 (.20)
MBK-03-02-10	158 ( 6.22)		
MBK-03-03-10	213 ( 8.39)		
MBK-03-04-10	268 (10.55)		
MBK-03-01-1090	103 ( 4.06)	1/4-20 UNC	4.76 (3/16)
MBK-03-02-1090	158 ( 6.22)		
MBK-03-03-1090	213 ( 8.39)		
MBK-03-04-1090	268 (10.55)		