

Pressure Switch Modular Valves

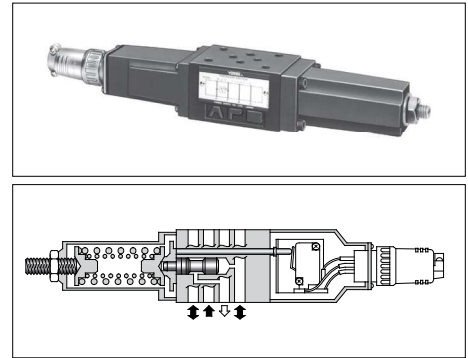
Specifications

Model Numbers	Max. Operating Pressure MPa	Max. Flow L/min
MJ*-01-M-*-*-10	31.5	35
MJ*-01-J-35-10	10	
MJ*-01-J-100-10	10	
MJ*-01-J-200-10	20	
MJ*-01-J-350-10	35	

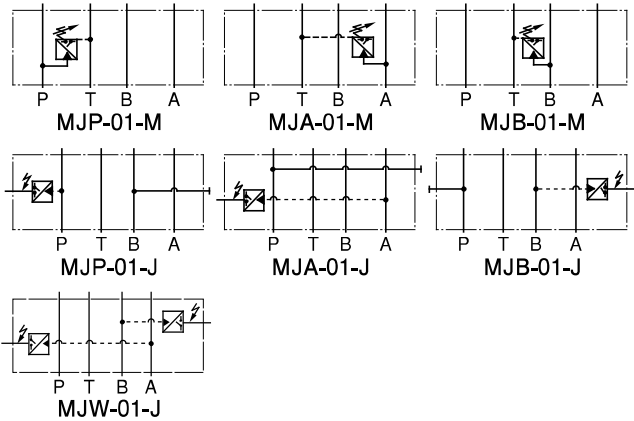
Sensitive Switch Ratings

Electric Source	AC		DC	
	Voltage (V)	125 · 250	125	250
Current (A)	11A-1/3 HP		0.5	0.25

- Specifications of semiconductor type pressure switch
JT-02 series is installed for semiconductor type pressure switch, refer to "C Pressure Control Valves" catalog page for details.



Graphic Symbols



Model Number Designation

MJP	-01	-M	-B	-N	-10
Series Number	Valve Size	Type of Switch	Pres. Adj. Range MPa	Type of Electrical Connection	Design Number
MJP: for P-Line MJA: for A-Line MJB: for B-Line	01	M: Sensitive Switch	B: 1-7 C: 3.5-14 H: 7-21	None: Cable Connector Type N: With Plug-in Connector (DIN)	10
MJP: for P-Line MJA: for A-Line MJB: for B-Line MJW: for A&B-Line		J: Semiconductor Type Pressure Switch	35: 0.1-3.5 100: 1-10 200: 2-20 350: 3.5-35	None: Lead Wire Type	

Instructions

- Wiring of a sensitive switch should be made correctly referring to the table right. Numbers in the switch status column indicate wiring numbers in receptacles or contact numbers of connectors.

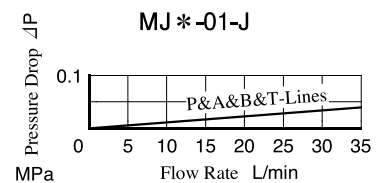
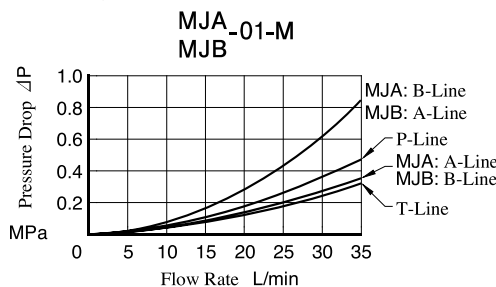
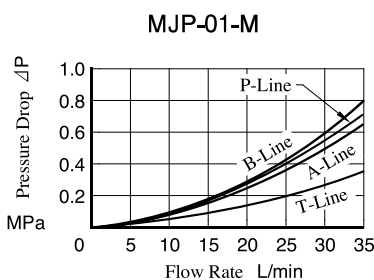
(Pressure with Sensitive Switch and The Switch Status)

Operating Pressure	Switch Status
Less than Pressure setting	
More than Pressure setting	

- To make pressure adjustment, loosen the lock nut and turn the pressure adjustment screw clockwise or anti-clockwise. For an increase of pressure, turn the screw clockwise. Be sure to re-tighten the lock nut firmly after making adjustment to the pressure.

Pressure Drop

Hydraulic Fluid: Viscosity 35 mm²/s, Specific Gravity 0.850

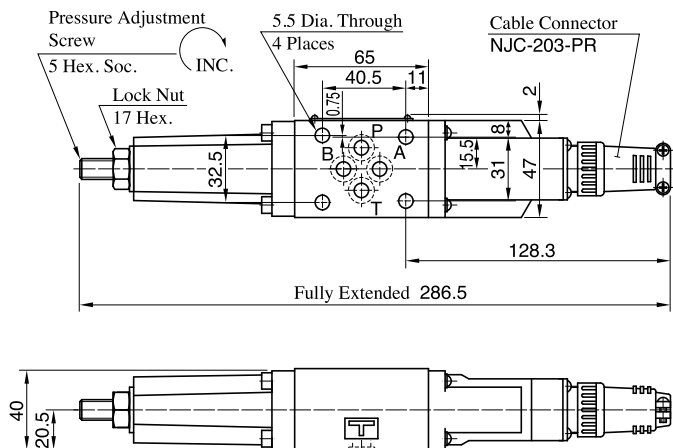


Accessories

Valve Model Numbers	Accessories
MJ*-01-M-*-10	Cable connector : NJC-203-PR.....1 Pc.
MJ*-01-M-*-N-10	DIN connector : GDM311-B-11.....1 Pc.

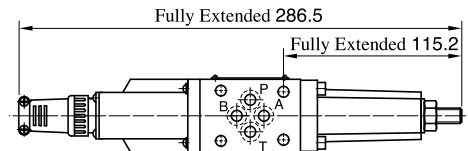
● Cable Connector Type

MJP-01-M-*-10
MJA-01-M-*-10



Approx. Mass.....1.3 kg

MJB-01-M-*-10

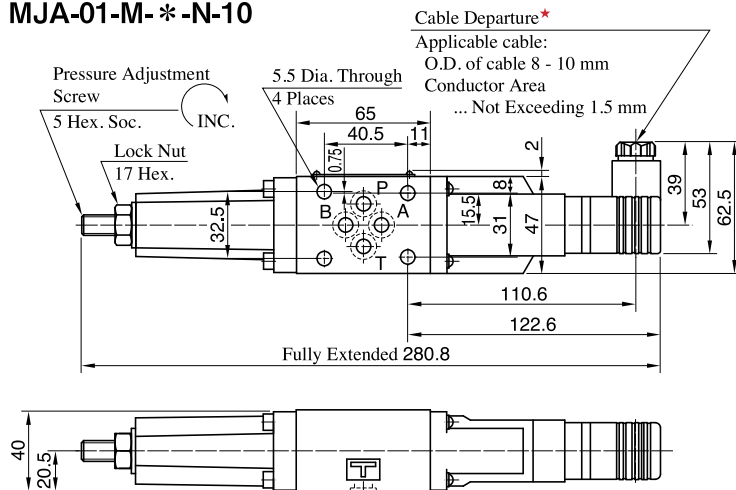


Approx. Mass.....1.3 kg

For other dimensions, refer to "MJP-01" in the drawing left.

● Plug-in Connector Type

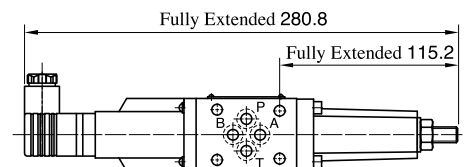
MJP-01-M-*-N-10
MJA-01-M-*-N-10



Approx. Mass.....1.3 kg

★As shown by the dot-and-dash line, the cable departure can also be faced opposite.

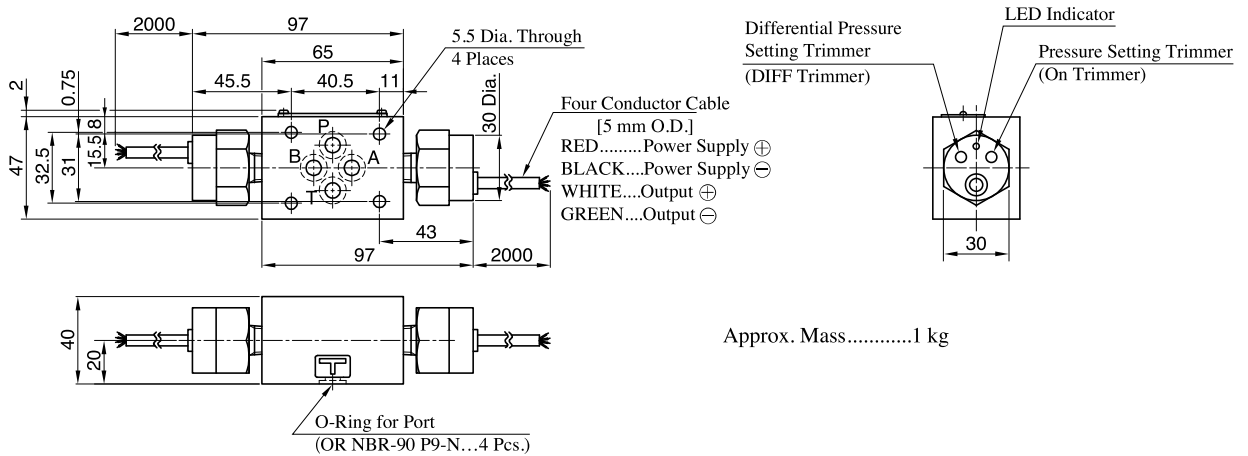
MJB-01-M-*-N-10



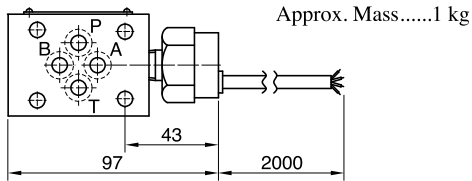
Approx. Mass.....1.3 kg

For other dimensions, refer to "MJP-01" in the drawing left.

● Semiconductor Type Pressure Switch
MJW-01-J- *-10

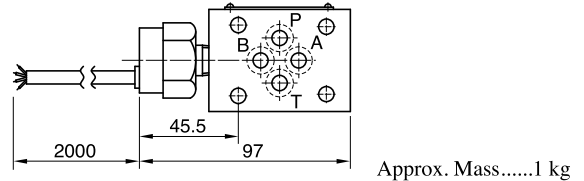


MJP-01-J- *-10
MJA-01-J- *-10



For other dimensions, refer to "MJW-01" in the drawing above.

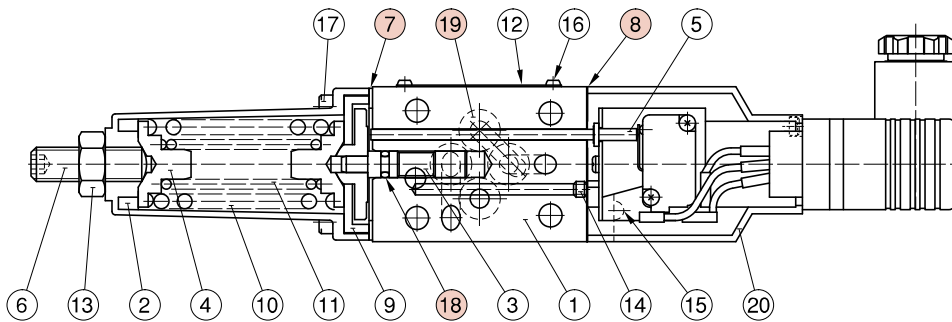
MJB-01-J- *-10



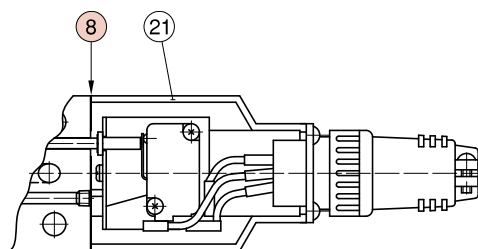
For other dimensions, refer to "MJW-01" in the drawing above.

■ List of Seals

MJP-01-M- *-N-10
 Plug-in Connector Type



MJ *-01-M- *-10
 Cable Connector Type



Item	Name of Parts	Part Numbers	Qty.
7	Packing	3116-VK414239-4	1
8	Packing	3116-VK414240-2	1
18	O-Ring	OR NBR-70-1 P5-N	1
19	O-Ring	OR NBR-90 P9-N	4

● Since MJ *-01-J- *-10 (Semiconductor type pressure switch) does not have any seals inside, only four(4) O-rings for the ports are required. Please refer to the drawing above.