



## SVPF Series Variable Vane Pump

Max. Pressure 7 MPa

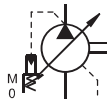


This pump is quiet, small, high efficiency, longevity, and quick response, the pressure and flow of this pump are adjustable and it is suitable for small and light equipment such as machine tools and shoes machine.

### Model Number Designation

SVPF	-12	-70	-B	-20
Series number	Geometric Displacement L/min (1800 rpm)	Max. Operating Pressure MPa (kgf/cm <sup>2</sup> )	Shaft size (mm)	Design number
SVPF	12	20 : 2.0 (20 kgf/cm <sup>2</sup> )	B : shaft size ø15.875 (suggestion)	20
	20	35 : 3.5 (35 kgf/cm <sup>2</sup> )	None : shaft size ø12.7	
	30	55 : 5.5 (55 kgf/cm <sup>2</sup> )		
	40	70 : 7.0 (70 kgf/cm <sup>2</sup> )	None : ø19.05 mm	

### Graphic Symbol



### Piping for Drain

The piping of the drain port should not be set over 0.05 MPa of the body. The length of Piping should not be over 1 m and please do not mix the return piping with other solenoid valves. The end of the piping should be put into the fluid. Recommend the size of the drain piping is as follows:

The fitting of the piping: 1/4 (internal diameter Ø6.6 plus)  
The internal diameter of the piping: Ø7 plus

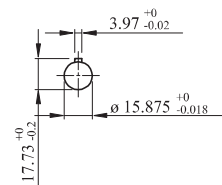
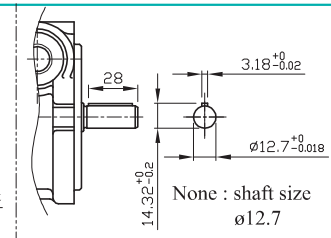
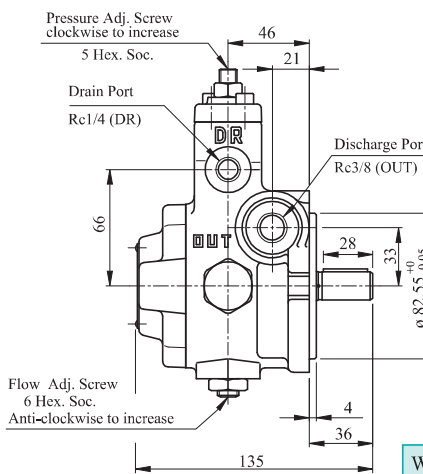
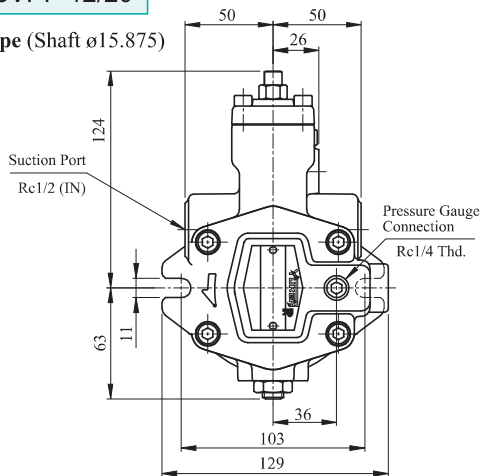
### Setting of the pressure and displacement

The flow of this pump is set at the Max. and the pressure of this pump is set at the lowest while the pump dispatched. Please reset the pressure and flow according to real working condition after receiving the pump.

Please refer to page 52 for other characteristics.

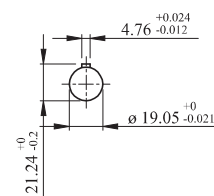
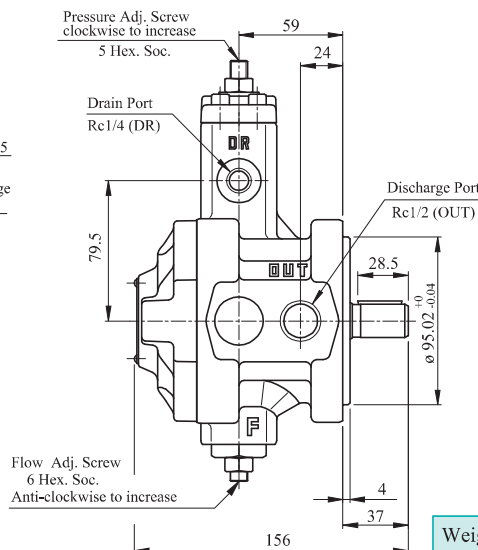
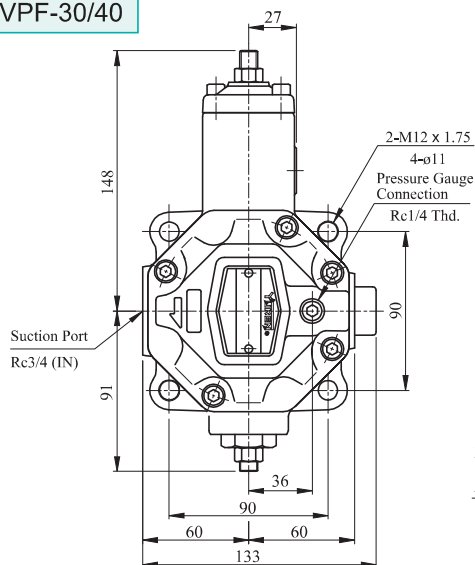
### SVPF-12/20

B Type (Shaft ø15.875)



Weight 5.5 kg

### SVPF-30/40



Weight 8 kg